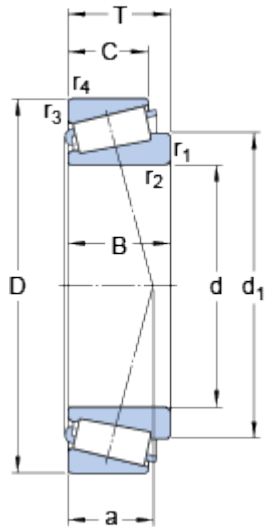


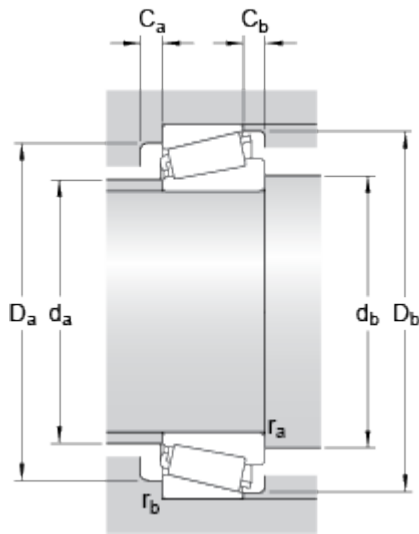
JM 205149/110/Q

Dimensions



d		50	mm
D		90	mm
T		28	mm
d ₁	≈	68.8	mm
B		28	mm
C		23	mm
r _{1,2}	min.	3	mm
r _{3,4}	min.	2.5	mm
a		20	mm

Abutment dimensions



d _a	max.	58	mm
d _b	min.	64	mm
D _a	min.	78	mm
D _a	max.	78	mm
D _b	min.	85	mm
C _a	min.	5	mm
C _b	min.	5	mm
r _a	max.	2.5	mm
r _b	max.	2.5	mm

Calculation data

Basic dynamic load rating	C	106	kN
Basic static load rating	C ₀	140	kN
Fatigue load limit	P _u	16	kN
Reference speed		5300	r/min
Limiting speed		8000	r/min
Calculation factor	e	0.33	
Calculation factor	Y	1.8	

Calculation factor

Y_0

1

Mass

Mass bearing

0.749

kg